

# 10ET Pro Series Tandem Axle Equipment ●

<b>G.V.W.R.</b>	9,990#	<b>Axle</b>	(2) 5,200# EZ Lube w/Electric Brakes
<b>G.A.W.R. (Ea. Axle)</b>	5,080#	<b>Supension</b>	Multi-Leaf Spring w/Equalizer
<b>Coupler</b>	Adjustable Forged 2-5/16"	<b>Tire</b>	ST225/75 R-15 Load Range D
<b>Safety Chains</b>	1/4" Grd. 70 w/Safety Latch Hook (2 ea)	<b>Wheel</b>	15" x 6"; White Spoke 6 Bolt
<b>Jack</b>	7,000# Drop Leg (Bolted On)	<b>Floor</b>	2" Treated Pine or Douglas Fir*
<b>Tongue</b>	5" Channel Fold Back/Wrap	<b>Lights</b>	L.E.D. D.O.T. Stop, Tail, Turn & Clearance
<b>Bump Rail</b>	Single-Piece Formed 2" Tubing	<b>Elec. Plug</b>	7-Way RV
<b>Frame</b>	5" Channel	<b>Finish (Prep)</b>	Steel is Cleaned to Ensure a Professional Smooth Finish.
<b>Crossmembers</b>	3" Channel		
<b>Sides</b>	None	<b>Finish</b>	Superior Quality Finish is Applied for a Highly Decorative and Protective Finish.
<b>Fenders</b>	9" x 72" Tear Drop w/Back (Removable)		

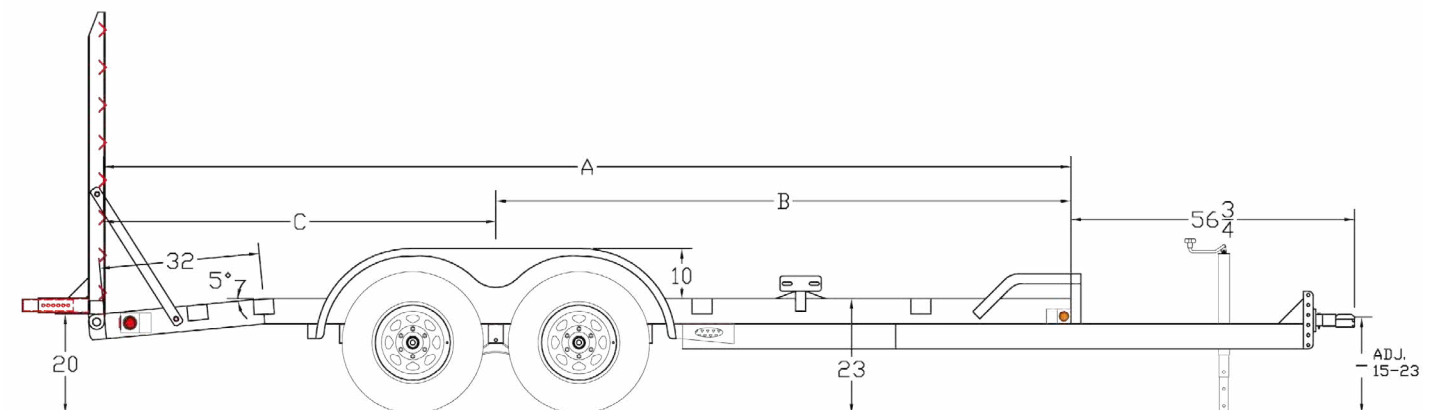
\* Douglas Fir Available from Caldwell, ID Facility Only

## Standard Features

- Rubrail and Tie Down Pockets Along Sides **NEW!**
- 32" Wood Filled Dovetail
- 5' Tall Channel Stand Up Ramps
- Forged Adjustable 2-5/16" Coupler
- Fold Back/Wrap Tongue
- Set-Back, 7,000# Drop Leg Jack
- 2" Formed Tubular Stop Rail
- EZ Lube Hubs
- Dexter Brand Axles
- Nev-R-Adjust Electric Brakes on All Hubs
- Cambered Axles
- Tear Drop Style Fenders (Removable)
- Grommet Mount Sealed Lighting
- L.E.D. Lighting Package
- Sealed Modular Wiring Harness
- Spare Tire Mount
- Complete Break-A-Way System w/Charger
- Radial Tires **NEW!**

## Description

Dimensions			
Length	A	B	C
16'	193-1/2"	115"	78-1/2"
18'	217-1/2"	127"	90-1/2"
20'	240"	138"	102"



# 10ET Pro Series Tandem Axle Equipment ●



Model	Weight*	Description
10ET-16	2,320#	83" x 16' Pro Series Tandem Axle Equipment Trailer
10ET-18	2,420#	83" x 18' Pro Series Tandem Axle Equipment Trailer
10ET-20	2,520#	83" x 20' Pro Series Tandem Axle Equipment Trailer

\*Weights shown are for base models without options and are estimates only

## Optional Equipment

Category	Description
COUPLERS	Adjustable Pintle in Channel in Lieu of Coupler
JACKS	12,000# Drop Leg Jack - Top Wind
JACKS	12,000# Drop Leg Jack - Side Wind Against Bed
BRAKES	Hydraulic Surge Brakes 2 Axles w/Adjustable Demco Actuator
TIRE/WHEEL	Spare Tire (ST225/75 R-15 LR-D)
TIRE/WHEEL	Tire Upgrade (ST235/80 R-16 LR-E)
TIRE/WHEEL	Spare Tire Upgrade (ST235/80 R-16 LR-E)
RAMPS	4' Side Mount Slide In Ramps (Existing Dovetail)
RAMPS	5' Rear Slide In Ramps (Straight Deck w/ Stabilizers)
RAMPS	3' Self Cleaning Dovetail w/ 3' Knee Ramps (20" Wide)
RAMPS	3' Self Cleaning Dovetail w/ 3' Mega Ramps
BODY	1/8" Diamond Plate Steel Floor (Per Square Foot)
CARGO CONTROL	Recessed D-Ring in Floor (Steel Floor Only)
CARGO CONTROL	B40 5/8" D-Ring (Each)