

<b>G.V.W.R.</b>	23,900#	<b>Axle</b>	(2) 10,000# Dual Wheel w/ Electric Brakes (Oil Bath)
<b>G.A.W.R. (Ea. Axle)</b>	10,000#	<b>Suspension</b>	Heavy Duty 30,000# Adjustable
<b>Coupler</b>	3" ID Pintle Ring	<b>Tire</b>	ST235/80 R-16 Load Range E Dual
<b>Safety Chains</b>	3/8" Grd. 70 w/Safety Latch Hook (2 each)	<b>Wheel</b>	16" x 6"; Dual Wheel 8 Bolt
<b>Jack</b>	Single 12,000# Drop Leg Jack (Bolted On)	<b>Floor</b>	2" Treated Pine or Douglas Fir*
<b>Tongue</b>	12" I-Beam, 16#	<b>Lights</b>	L.E.D. D.O.T. Stop, Tail, Turn & Clearance
<b>Top Rail</b>	None	<b>Elec. Plug</b>	7-Way RV
<b>Frame</b>	12" I-Beam, 16#	<b>Finish (Prep)</b>	Steel is Cleaned to Ensure a Professional Smooth Finish.
<b>Crossmembers</b>	3" Channel		
<b>Side Rail</b>	6" Channel w/Rub Rail, Tie Down Pockets on 24" Centers, and Chain Spools	<b>FINISH</b>	Superior Quality Finish is Applied for a Highly Decorative and Protective Finish.

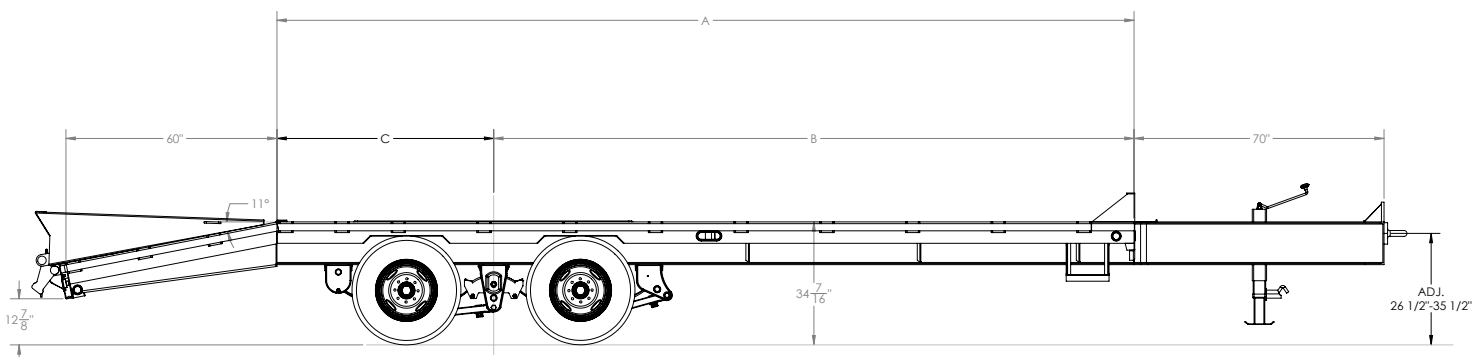
\* Douglas Fir Available from Caldwell, ID Facility Only

## Standard Features

- 3" ID Pintle Ring
- 12,000# Drop Leg Jack- Top Wind (Bolted On)
- 102" Overall Width
- Low Profile Bed, Pierced- Beam Frame
- (2) Side Bed Steps
- 3/8" Heavy Duty Rub Rail
- Tie Down Pockets Along Sides, 24" On Center
- 1-1/4" Pipe Chain Spools Between Tie Down Pockets
- Dexter Brand Axles
- Oil Bath Hubs
- Forward Self Adjusting Brakes
- Heavy Duty 30,000# Adjustable Suspension by Dexter Axle
- Cambered Axles
- Grommet Mount Sealed Lighting
- L.E.D. Lighting Package
- Modular Sealed Wiring Harness
- Spare Tire Mount
- 5' Dovetail w/ 5' Double Hinged Spring Assist Flip-Over Ramps
- Complete Break-A-Way System w/Charger
- Radial Tires
- Mudflaps
- Spare Tire & Wheel- Standard Equipped **NEW!**

## Description

Dimensions			
Length	A	B	C
20 + 5	240"	180"	60"
25 + 5	300"	216"	84"



# 22PH Tandem Dual Wheel Pintle



Model	Weight*	Description
22PH-20+5	5,600#	102" x 20' + 5' Tandem Dual Wheel Pintle
22PH-25+5	6,100#	102" x 25' + 5' Tandem Dual Wheel Pintle

\*Weights shown are for base models without options and are estimates only

## Optional Equipment

Category	Description
JACKS	Dual Single-Speed Drop-Leg Jacks
JACKS	Dual 2-Speed Landing Gear
JACKS	Dual Electric Over Hydraulic Jacks
BRAKES	Electric Over Hydraulic Brakes (Drum)
BRAKES	Electric Over Hydraulic Brakes (Disc)
TIRE/WHEEL	Tire Upgrade (ST235/85 R-16 LR-G Dual)
TIRE/WHEEL	Spare Tire Upgrade (ST235/85 R-16 LR-G Dual)
RAMPS	(2) 5' MEGA Ramps
RAMPS	5' Center Pop-Up Dovetail w/ (2) 5' Flip-Over Ramps
RAMPS	(3) 5' Flip-Over Ramps w/Diamond Plate on Bottom
RAMPS	No Dovetail Option (Delete's Dovetail & Ramps)
RAMPS	8' Rear Slide-In Ramps (Straight Deck Only)
BODY	Lockable Lid Over Tool Storage in Tongue
CARGO CONTROL	Low Profile Tool Box 12" x 18" x 36" (Side Mount)
CARGO CONTROL	Sliding Winch Track (Per 6' Section)
CARGO CONTROL	4" Sliding Winch (Each)
CARGO CONTROL	4" Weld-On Winch (Each)
CARGO CONTROL	4" x 30' Strap (Each)
CARGO CONTROL	B40 5/8" D-Ring (Each)