

25PH Heavy Duty Tandem Dual Wheel Pintle

G.V.W.R.	25,900#	Axle	(2) 12,000# Dual Wheel w/ Electric Brakes (Oil Bath)
G.A.W.R. (Ea. Axle)	12,000#	Suspension	Heavy Duty 30,000# Adjustable
Coupler	3" ID Pintle Ring	Tire	ST235/80 R-16 Load Range E Dual
Safety Chains	3/8" Grd. 70 w/Safety Latch Hook (2 each)	Wheel	16" x 6"; Dual Wheel 8 Bolt
Jack	Single 12,000# Drop Leg Jack (Bolted On)	Floor	2" Treated Pine or Douglas Fir*
Tongue	12" I-Beam, 19#	Lights	L.E.D. D.O.T. Stop, Tail, Turn & Clearance
Top Rail	None	Elec. Plug	7-Way RV
Frame	12" I-Beam, 19#	Finish (Prep)	Steel is Cleaned to Ensure a Professional Smooth Finish.
Crossmembers	3" Channel	FINISH	Superior Quality Finish is Applied for a Highly Decorative and Protective Finish.
Side Rail	8" Channel w/Rub Rail, Tie Down Pockets on 24" Centers, and Chain Spools		

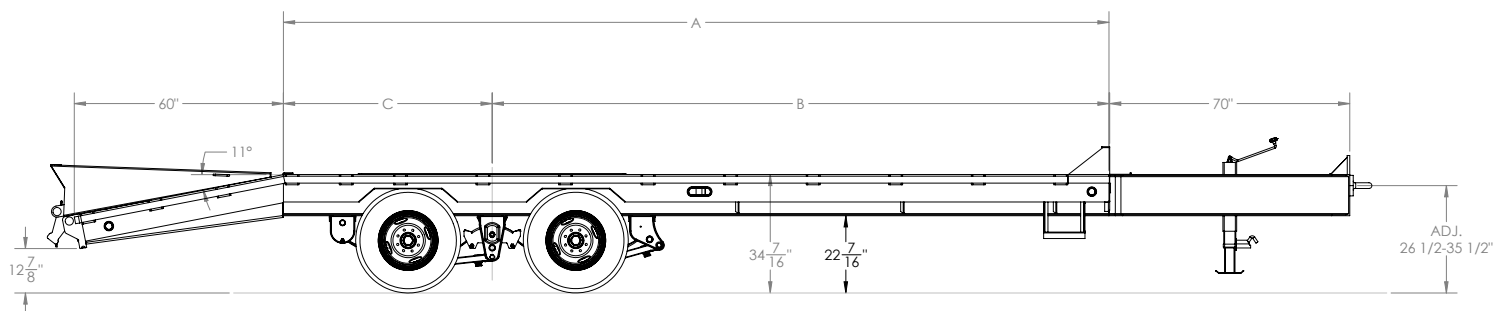
* Douglas Fir Available from Caldwell, ID Facility Only

Standard Features

- 3" ID Pintle Ring
- 12,000# Drop Leg Jack- Top Wind (Bolted On)
- 102" Overall Width
- Low Profile Bed, Pierced- Beam Frame
- (2) Side Bed Steps
- 3/8" Heavy Duty Rub Rail
- Tie Down Pockets Along Sides, 24" On Center
- 1-1/4" Pipe Chain Spools Between Tie Down Pockets
- Dexter Brand Axles
- Oil Bath Hubs
- Forward Self Adjusting Brakes
- Heavy Duty 30,000# Adjustable Suspension by Dexter Axle
- Cambered Axles
- Grommet Mount Sealed Lighting
- L.E.D. Lighting Package
- Modular Sealed Wiring Harness
- Spare Tire Mount
- 5' Dovetail w/ 5' Double Hinged Spring Assist Flip-Over Ramps
- Complete Break-A-Way System w/Charger
- Radial Tires
- Mudflaps
- Spare Tire & Wheel- Standard Equipped **NEW!**

Description

Dimensions			
Length	A	B	C
20 + 5	240"	180"	60"
25 + 5	300"	216"	84"



25PH Heavy Duty Tandem Dual Wheel Pintle



Model	Weight*	Description
25PH-20+5	6,300#	102" x 20' + 5' HD Tandem Dual Wheel Pintle
25PH-25+5	7,050#	102" x 25' + 5' HD Tandem Dual Wheel Pintle

*Weights shown are for base models without options and are estimates only

Optional Equipment

Category	Code	Description
JACKS		Dual Single-Speed Drop-Leg Jacks
JACKS		Dual 2-Speed Landing Gear
JACKS		Dual Electric Over Hydraulic Jacks
BRAKES		Air Brake Assembly w/ABS on Front, Spring Brake Chambers & Auto Slacks
BRAKES		Electric Over Hydraulic Brakes (Drum)
BRAKES		Electric Over Hydraulic Brakes (Disc)
TIRE/WHEEL		Tire Upgrade (ST235/85 R-16 LR-G Dual)
TIRE/WHEEL		Spare Tire Upgrade (ST235/85 R-16 LR-G Dual)
TIRE/WHEEL		Tire Upgrade (ST215/75 R-17.5 LR-H Dual)
TIRE/WHEEL		Spare Tire Upgrade (ST215/75 R-17.5 LR-H Dual)
RAMPS		(2) 5' MEGA Ramps
RAMPS		5' Center Pop-Up Dovetail w/ (2) 5' Flip-Over Ramps
RAMPS		(3) 5' Flip-Over Ramps w/Diamond Plate on Bottom
RAMPS		No Dovetail Option (Delete's Dovetail & Ramps)
RAMPS		8' Rear Slide-In Ramps (Straight Deck Only)
BODY		Lockable Lid Over Tool Storage In Tongue
CARGO CONTROL		Low Profile Tool Box 12" x 18" x 36" (Side Mount)
CARGO CONTROL		Sliding Winch Track (Per 6' Section)
CARGO CONTROL		4" Sliding Winch (Each)
CARGO CONTROL		4" Weld-On Winch (Each)
CARGO CONTROL		4" x 30' Strap (Each)
CARGO CONTROL		B 40 5/8" D-Ring (Each)