

30SA/35SA Single Axle Utility Trailer

G.V.W.R.	2,995#	Axle	3,500# EZ Lube Axle w/ Brake Flanges
G.A.W.R. (Ea. Axle)	2,995#	Supension	Multi-Leaf Spring
Coupler	2" A-Frame	Tire	ST205/75R-15 Load Range C
Safety Chains	1/4" Grd. 30 w/ Safety Latch Hook (2 ea)	Wheel	15" x 5; White Spoke, 5 on 5 Bolt Pattern
Jack	2,000# Top Wind (Bolted On)	Floor	2" Treated Pine or Douglas Fir*
Tongue	3" Channel	Lights	L.E.D. D.O.T. Stop, Tail, Turn & Clearance
Top Rail	2" Pipe ON 30SA, 2-3/8" Pipe on 35SA	Elec. Plug	4-Way Flat w/ Loom
Frame	3" x 2" x 3/16" Angle	Finish (Prep)	Steel is Cleaned to Ensure a Professional, Smooth Finish
Crossmembers	3" x 2" x 3/16" Angle	Finish	Superior Quality Finish is Applied for a Highly Decorative and Protective Finish
Uprights	15" Tall Angle, 1-1/2" Angle (30SA), 2" Angle (35SA)		
Fenders	9" x 32" Rolled Formed w/ Back		

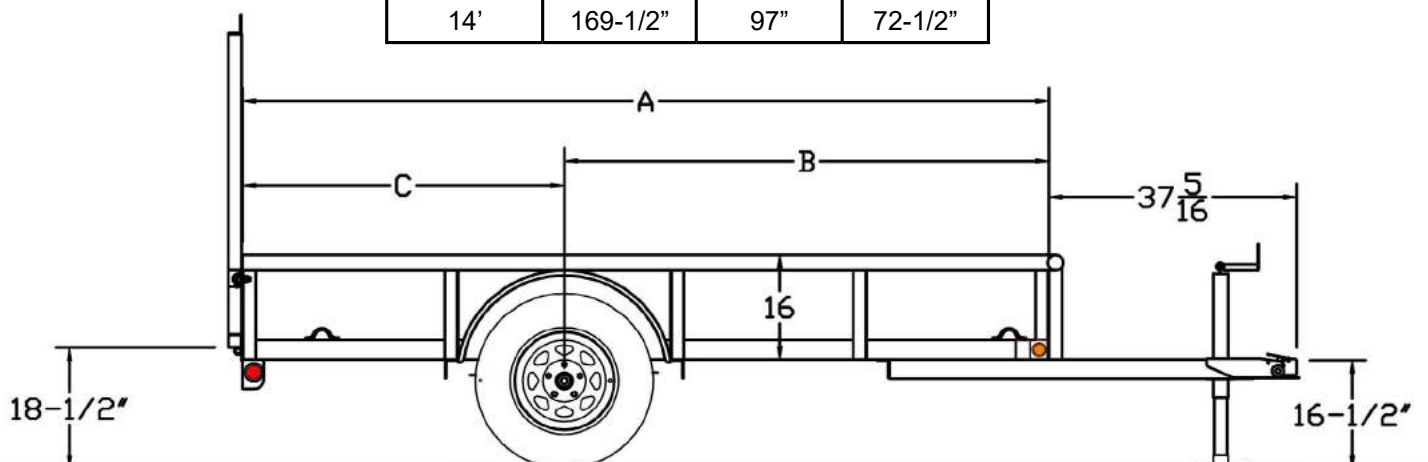
* Douglas Fir Available from Caldwell, ID Facility Only

Standard Features

- (4) Tie Down Loops Inside Bed
- EZ Lube Hubs
- Dexter Brand Axle
- Pipe Top Rail
- Grommet Mount Sealed Lighting
- L.E.D. Lighting Package
- Protected Wiring
- Radial Tires **NEW!**
- Brake Flanges on Axle for Easy Brake Addition
- Removable Sand Foot on Jack
- A-Frame Channel Tongue

Description

Dimensions			
Length	A	B	C
8'	97-1/2"	61"	36-1/2"
10'	121-1/2"	73"	48-1/2"
12'	145-1/2"	85"	60-1/2"
14'	169-1/2"	97"	72-1/2"



*Shown with optional rampgate.

30SA/35SA Single Axle Utility Trailer ●



Shown with optional rampgate and spare tire mount.

◆ Model	Weight*	Description
30SA-08	663#	60" x 08' Single Axle Utility Trailer
30SA-10	723#	60" x 10' Single Axle Utility Trailer
30SA-12	813#	60" x 12' Single Axle Utility Trailer
30SA-14	903#	60" x 14' Single Axle Utility Trailer
35SA-10	893#	77" x 10' Single Axle Utility Trailer
35SA-12	983#	77" x 12' Single Axle Utility Trailer
35SA-14	1,073#	77" x 14' Single Axle Utility Trailer

*Weights shown are for base models without options and are estimates only

Optional Equipment

Category	Description
COUPLERS	2" Forged Coupler
BRAKES	Electric Brakes w/ Complete Brake-Away Kit
JACKS	2,000# Fold-Up Jack
JACKS	Set Back Jack
TIRE/WHEEL	Spare Tire Mount (Side)
TIRE/WHEEL	Spare Tire & Wheel (ST205/75R-15 LR-C)
RAMPS	4' Tall Rear Rampgate (30SA)
RAMPS	4' Tall Rear Rampgate (35SA)
RAMPS	5' Tall Rear Rampgate (30SA)
RAMPS	5' Tall Rear Rampgate (35SA)
RAMPS	Gas Shock Assist Option for Rampgate
RAMPS	4' Slide-In Ramp Package (35SA Only)
BODY	Car Hauler Style (No Side Rails)
BODY	V-Tongue Tilt Option
BODY	Enclose Sides w/ Expanded Metal (Per Square Foot)
BODY	Enclose Sides w/ Sheet Metal (Per Square Foot)
BODY	2' High Sides (Open)
BODY	3' High Sides (Open)
BODY	4' High Sides (Open)
CARGO CONTROL	Tie Down Pockets (Each)
CARGO CONTROL	Additional Tie Loops (Each)