

# 30SV/35SV Single Axle Vanguard Trailer

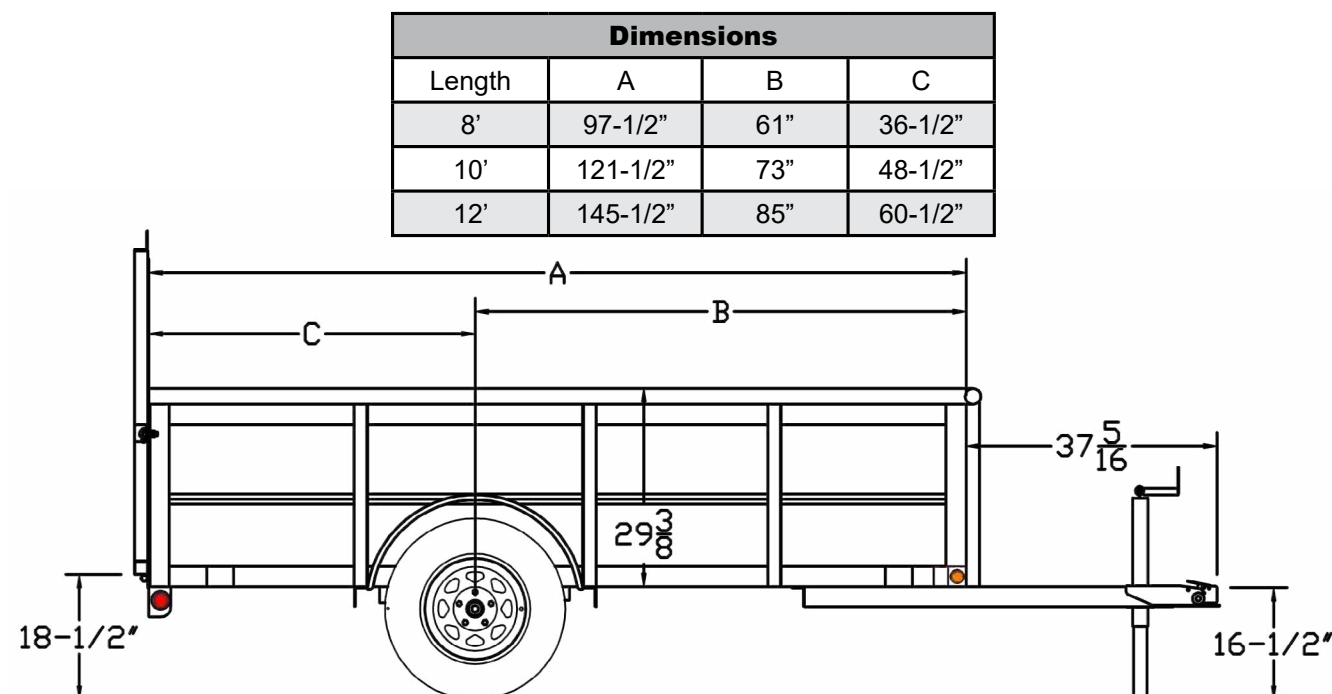
<b>G.V.W.R.</b>	2,995#	<b>Axle</b>	3,500# EZ Lube Axle w/ Brake Flanges
<b>G.A.W.R. (Ea. Axle)</b>	2,995#	<b>Supension</b>	Multi-Leaf Spring
<b>Coupler</b>	2" A-Frame	<b>Tire</b>	ST205/75R-15 Load Range C
<b>Safety Chains</b>	1/4" Grd. 30 w/ Safety Latch Hook (2 ea)	<b>Wheel</b>	15 x 5; White Spoke, 5 on 5 Bolt Pattern
<b>Jack</b>	2,000# Top Wind (Bolted On)	<b>Floor</b>	2" Treated Pine or Douglas Fir*
<b>Tongue</b>	3" Channel	<b>Lights</b>	L.E.D. D.O.T. Stop, Tail, Turn & Clearance
<b>Top Rail</b>	2" Pipe on 30SV, 2-3/8" Pipe on 35SV	<b>Elec. Plug</b>	4-Way Flat w/ Loom
<b>Frame</b>	3" x 2" x 3/16" Angle	<b>Finish (Prep)</b>	Steel is Cleaned to Ensure a Professional, Smooth Finish
<b>Crossmembers</b>	3" x 2" x 3/16" Angle	<b>Finish</b>	Superior Quality Finish is Applied for a Highly Decorative and Protective Finish
<b>Uprights</b>	24" Tall V-Crimped Steel Panels (16 Ga.)		
<b>Fenders</b>	9" x 32" Rolled Formed w/ Back		

\* Douglas Fir Available from Caldwell, ID Facility Only

## Standard Features

- (4) Tie Down Loops Inside Bed
- EZ Lube Hubs
- Dexter Brand Axle
- Pipe Top Rail
- Grommet Mount Sealed Lighting
- L.E.D. Lighting Package
- Protected Wiring
- Lower Support Jack Plate
- Radial Tires **NEW!**
- Brake Flanges on Axle for Easy Brake Addition
- Removable Sand Foot on Jack
- A-Frame Channel Tongue
- (4) Tie Down Pockets on Outside of Frame
- 29-3/8" Tall Sides w/ 24" V-Crimped Steel Panels

## Description



\*Shown with optional rampgate.

# 30SV/35SV Single Axle Vanguard Trailer ●



Shown with optional rampgate and spare tire mount.

◆ Model	Weight*	Description
30SV-08	870#	60" x 08' Single Axle Vanguard Trailer
30SV-10	970#	60" x 10' Single Axle Vanguard Trailer
30SV-12	1,070#	60" x 12' Single Axle Vanguard Trailer
35SV-10	1,100#	77" x 10' Single Axle Vanguard Trailer
35SV-12	1,290#	77" x 12' Single Axle Vanguard Trailer
35SV-14	1,480#	77" x 14' Single Axle Vanguard Trailer

\*Weights shown are for base models without options and are estimates only

## Optional Equipment

Category	Description
COUPLERS	2" Forged Coupler
BRAKES	Electric Brakes w/ Complete Brake-Away Kit
JACKS	2,000# Fold-Up Jack
JACKS	Set Back Jack
TIRE/WHEEL	Spare Tire Mount (Side)
TIRE/WHEEL	Spare Tire & Wheel (ST205/75R-15 LR-C)
RAMPS	4' Tall Rear Rampgate for 30SV
RAMPS	4' Tall Rear Rampgate for 35SV
RAMPS	5' Tall Rear Rampgate for 30SV
RAMPS	5' Tall Rear Rampgate for 35SV
RAMPS	Gas Shock Assist Option for Rampgate
CARGO CONTROL	3 Place Weed Trimmer Racks (Bolt On)
CARGO CONTROL	Bolt-On Landscape Box for 30SV (24" x 24" x 64-1/2")
CARGO CONTROL	Bolt-On Landscape Box for 35SV (24" x 24" x 81-1/2")
CARGO CONTROL	Additional Tie Down Pockets (Each)
CARGO CONTROL	Additional Tie Loops (Each)